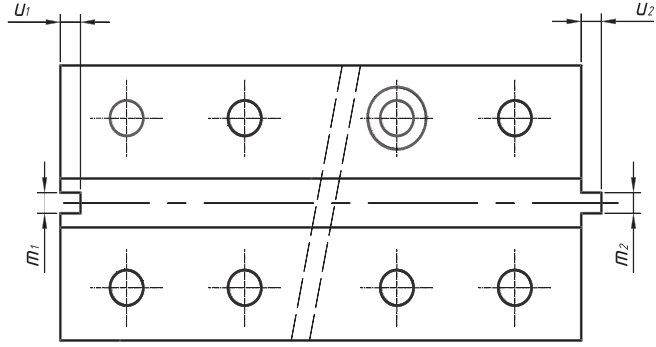
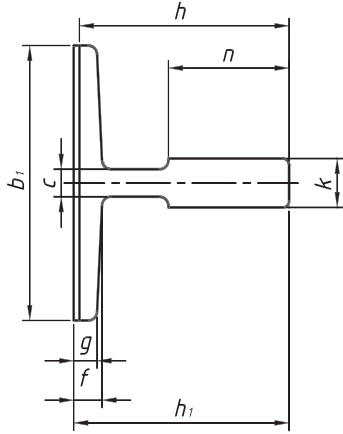


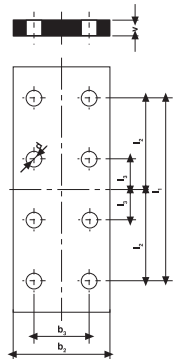
MACHINED GUIDE RAILS / İŞLENMİŞ RAYLAR



Physical dimensions / Fiziksel ölçüler (mm)												
TS ISO 7465 Mart 2011	b ₁	h ₁	h	k	n	c	f	g	m ₁	m ₂	u ₁	u ₂
	Tolerances / Toleranslar											
	±1,5	±0,75	±0,1	+0,1 0	+3 0		±0,75	±0,75	+0,06 0	0 -0,06	±0,1	±0,1
T75/B	75	62	61	10	30	8	9	7	3,00	2,97	3,50	3,00
T89/B	89	62	61	16	34	10	11,10	7,90	6,40	6,37	7,14	6,35
T90/B	90	75	74	16	42	10	10	8	6,40	6,37	7,14	6,35
T125/B	125	82	81	16	42	10	12	9	6,40	6,37	7,14	6,35
T127-2/B	127	89	88	16	51	10	15,90	12,70	6,40	6,37	7,14	6,35

Technical Characteristics / Teknik özellikler									
TS ISO 7465 Mart 2011	S	q ₁	e	I _{x-x}	W _{x-x}	i _{x-x}	I _{y-y}	W _{y-y}	i _{y-y}
	cm ²	Kg/m	cm	cm ⁴	cm ³	cm	cm ⁴	cm ³	cm
T75/B	10,91	8,564	1,861	40,29	9,287	1,921	26,47	7,06	1,557
T89/B	15,77	12,38	2,032	59,83	14,35	1,948	52,41	11,78	1,823
T90/B	17,25	13,54	2,612	102,0	20,86	2,431	52,48	11,66	1,744
T125/B	22,82	17,91	2,430	151,0	26,16	2,572	159,1	25,46	2,641
T127-2/B	28,72	22,55	2,478	201,7	31,17	2,640	229,9	36,20	2,829

Holes and Fishplates / Bağlantı pabucları (mm)								Cıvata	Tırnak
TS ISO 7465 Mart 2011	d	l ₁	l _{2f}	l _{3f}	b ₂	b ₃	V	TS EN 4017	DIN 7168
	Tolerances / Toleranslar								
		+3 0	±0,2	±0,2		±0,2	+3 0		
T75/B	13	250	105	25	70	42	10	M12x35	M2
T89/B	13	305	114,3	38,1	90	57,2	13	M12x40	M2
T90/B	13	305	114,3	38,1	90	57,2	13	M12x40	M3
T125/B	17	305	114,3	38,1	130	79,4	18	M16x50	M4
T127-2/B	17	305	114,3	38,1	130	79,4	18	M16x50	M5



Management System
ISO 9001:2008
www.tuv.com
ID 9105081237

STANDARTS/STANDARTLAR
LENGHT/BOY
PACKING/PAKET
END PROTECTION/KORUMA
STEEL/ÇELİK

TS ISO 7465 / Mart 2011
5000mm ± 2mm / 2500mm ± 2mm
Bundles 1000kg APPROX
Coated by Anticorit BW 366 to remove easily with usual disolvents
ISO 630 / E 275 B



- In keeping the rights to modify the specifications written in this page without notice.
- Bu sayfada yazılı olan spesifikasyonları bildirmsiz deęiřtirme hakkımız saklıdır.